

Chapter E

Cabling and Pinout Information

This appendix contains pinout information for CDDI A/B ports, CDDI adapter ports, concentrator master ports, and the optical bypass switch connector.

CDDI Cabling

MLT-3 is the new American National Standards Institute (ANSI) draft specification developed by Cisco Systems for compression of FDDI signals over UTP copper wire. Cisco Systems products that are upgraded to MLT-3 will interoperate with other vendors' equipment that complies with the draft standard.

Workgroup CDDI/MLT-3 installations require category 5 equipment throughout. Two types of category 5 modular cables—cross-connect and straight-through—are used to connect concentrators and adapters to the network. (See Figure E-1 and Figure E-2.)

Note MLT-3 equipment can only be connected to other MLT-3 equipment.

Figure E-1, Figure E-2, and Figure E-3, illustrate the EIA/TIA-568B wiring standard and CDDI transmit and receive pairs

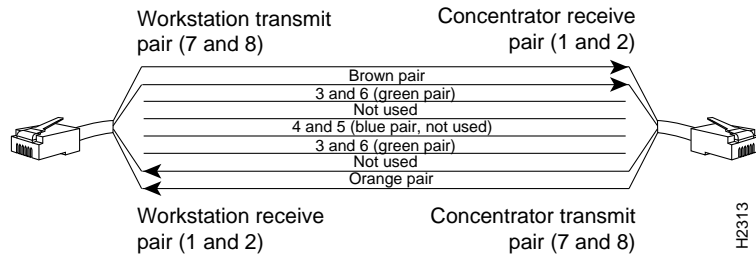


Figure E-1 Cross-Connect Cable Pinout

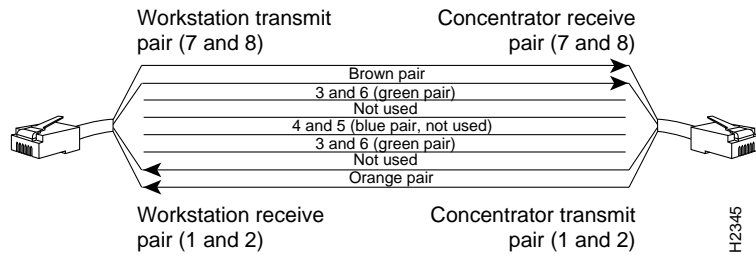


Figure E-2 Straight-Through Cable Pinout

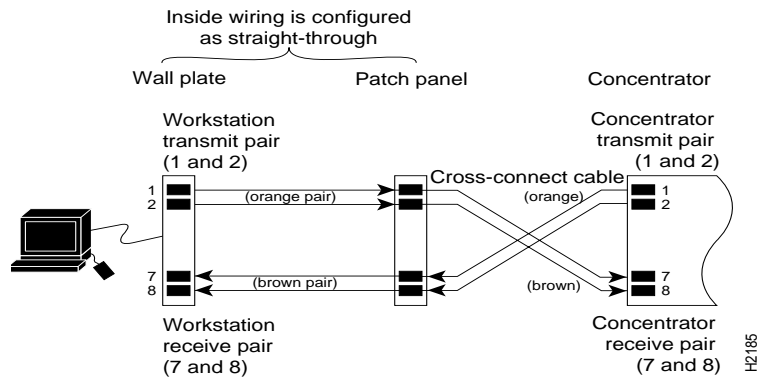


Figure E-3 Patch-Panel Connections

Figure E-4 shows the location of straight-through and cross-connect cabling for CDDI installations. Note that the cross-connect cabling is used between the concentrator and the patch panel.

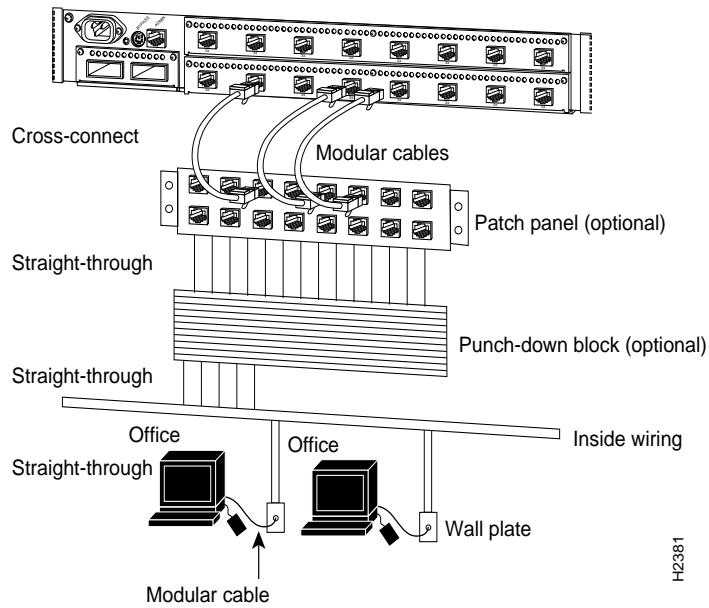
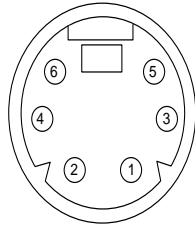


Figure E-4 Straight-Through and Cross-Connect Cabling

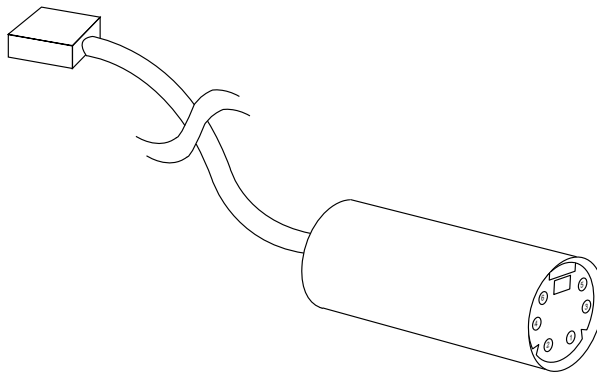
Bypass Connector Pinouts

Figure E-5 shows the optical bypass switch connector pinouts.



Pin	Function
1	V+
2	
3	Switch
4	
5	Ground
6	Bypass switch

H2082



H2129

Figure E-5 Bypass Connector Pinouts