

# Cabling and Pinout Information

---

This appendix contains pinout information for CDDI A/B ports, CDDI adapter ports, concentrator master ports, and the optical bypass switch connector.

## CDDI Cabling

MLT-3 is the new American National Standards Institute (ANSI) draft specification developed by Cisco Systems for compression of FDDI signals over UTP copper wire. Cisco Systems products upgraded to MLT-3 will interoperate with other vendor's equipment that complies with the draft standard.

CDDI/MLT-3 installations require Category 5 equipment throughout. Two types of Category 5 modular cables are used to connect concentrators and adapters to the network—cross-connect and straight-through. (See Figure E-1.)

---

**Note** MLT-3 equipment can only be connected to other MLT-3 equipment.

---

Figure E-1 illustrates the EIA/TIA 568B wiring standard and CDDI TX and RX pair.

**Figure E-1 Wiring Standard and CDDI TX and RX Pairs**

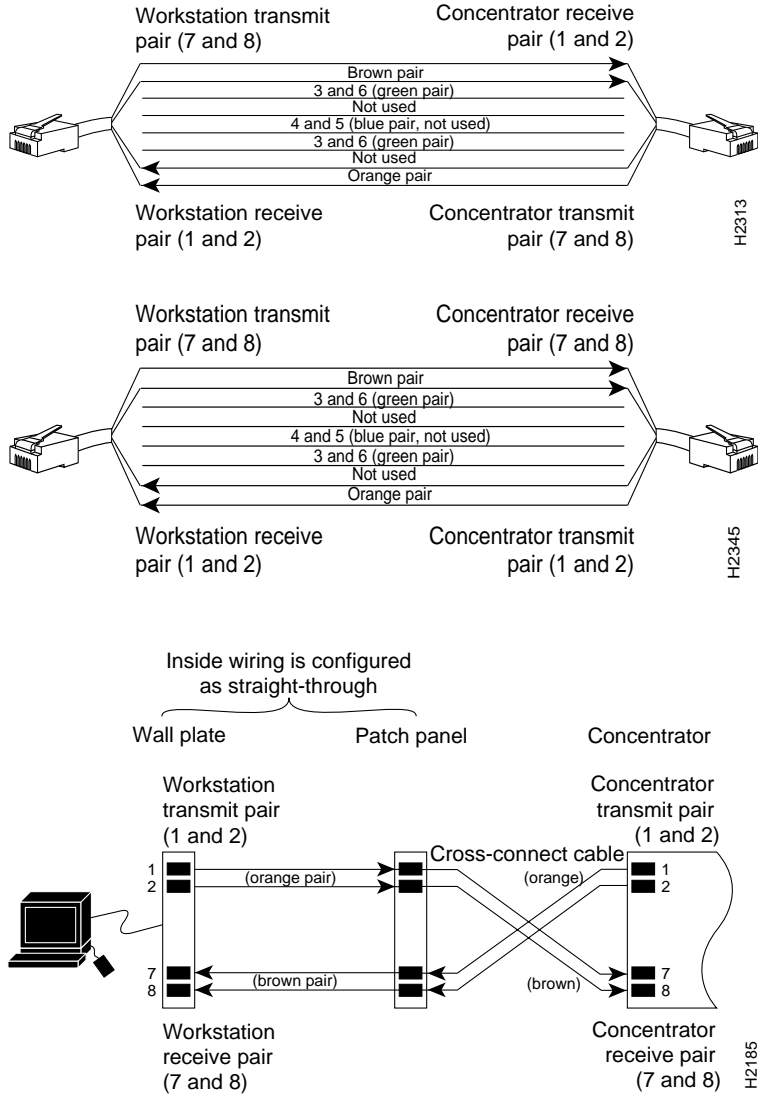
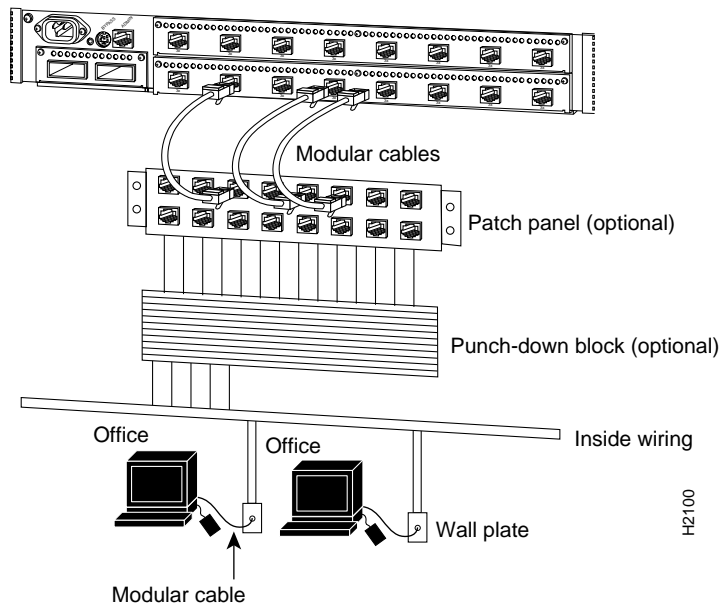


Figure E-2 shows the location of straight-through and cross-connect cabling for CDDI installations. Note that the cross-connect cabling is used between the concentrator and the patch panel.

**Figure E-2 Straight-Through and Cross-Connect Cabling**



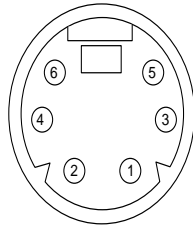
## Bypass Connector Pinouts

Figure E-3 shows the optical bypass switch connector pinouts.

## Bypass Connector Pinouts

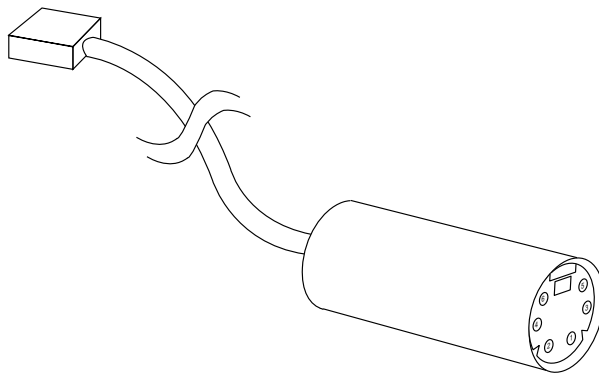
---

Figure E-3 Bypass Connector Pinouts



Pin	Function
1	V+
2	
3	Switch
4	
5	Ground
6	Bypass switch

H2082



H2129