



Doc. No. 78-3749-04

# Installing the Failover Connector Assemblies and Cable on the Cisco LocalDirector

---

This document provides an overview of the failover feature and describes how to install the failover connector assemblies and cable on the Cisco LocalDirector. Use this document with the *Cisco LocalDirector Installation and Configuration Guide*.

---

**Note** Cisco documentation and additional literature are available in a CD-ROM package, which ships with your product. The Documentation CD-ROM, a member of the Cisco Connection Family, is updated monthly. Therefore, it might be more up to date than printed documentation. To order additional copies of the Documentation CD-ROM, contact your local sales representative or call customer service. The CD-ROM package is available as a single package or as an annual subscription. You can also access Cisco documentation on the World Wide Web at <http://www.cisco.com>, <http://www-china.cisco.com>, or <http://www-europe.cisco.com>.

---

## Failover Overview

Failover provides a mechanism for LocalDirector to be redundant by allowing two identical units to serve the same functionality. One LocalDirector unit is considered the “primary” unit while the other is considered the “secondary” unit. The active unit performs its normal network functions while the standby unit only monitors, ready to take control should the active unit fail. The unit that has the end of the failover cable marked primary plugged into it becomes the primary unit, and it is also the “active” unit by default.

## Safety Warnings



**Warning** Means *danger*. You are in a situation that could cause bodily injury. Before you work on any equipment, you must be aware of the hazards involved with electrical circuitry and familiar with standard practices for preventing accidents. To see translations of the warnings that appear in this document, refer to the *Regulatory Compliance and Safety Information* document that accompanied this device.

---

### Corporate Headquarters

Cisco Systems, Inc.  
170 West Tasman Drive  
San Jose, CA 95134-1706  
USA

Copyright © 1997  
Cisco Systems, Inc.  
All rights reserved.

**Waarschuwing** Dit waarschuwingssymbool betekent gevaar. U verkeert in een situatie die lichamelijk letsel kan veroorzaken. Voordat u aan enige apparatuur gaat werken, dient u zich bewust te zijn van de bij elektrische schakelingen betrokken risico's en dient u op de hoogte te zijn van standaard maatregelen om ongelukken te voorkomen. Voor vertalingen van de waarschuwingen die in deze publicatie verschijnen, kunt u het document *Regulatory Compliance and Safety Information* (Informatie over naleving van veiligheids- en andere voorschriften) raadplegen dat bij dit toestel is ingesloten.

**Varoitus** Tämä varoitusmerkki merkitsee vaaraa. Olet tilanteessa, joka voi johtaa ruumiinvammaan. Ennen kuin työskentelet minkään laitteiston parissa, ota selvää sähkökytkentöihin liittyvistä vaaroista ja tavanomaisista onnettomuuksien ehkäisykeinoista. Tässä julkaisussa esiintyvien varoitusten käännökset löydät laitteen mukana olevasta *Regulatory Compliance and Safety Information* -kirjasesta (määräysten noudattaminen ja tietoa turvallisuudesta).

**Attention** Ce symbole d'avertissement indique un danger. Vous vous trouvez dans une situation pouvant causer des blessures ou des dommages corporels. Avant de travailler sur un équipement, soyez conscient des dangers posés par les circuits électriques et familiarisez-vous avec les procédures couramment utilisées pour éviter les accidents. Pour prendre connaissance des traductions d'avertissements figurant dans cette publication, consultez le document *Regulatory Compliance and Safety Information* (Conformité aux règlements et consignes de sécurité) qui accompagne cet appareil.

**Warnung** Dieses Warnsymbol bedeutet Gefahr. Sie befinden sich in einer Situation, die zu einer Körperverletzung führen könnte. Bevor Sie mit der Arbeit an irgendeinem Gerät beginnen, seien Sie sich der mit elektrischen Stromkreisen verbundenen Gefahren und der Standardpraktiken zur Vermeidung von Unfällen bewusst. Übersetzungen der in dieser Veröffentlichung enthaltenen Warnhinweise finden Sie im Dokument *Regulatory Compliance and Safety Information* (Informationen zu behördlichen Vorschriften und Sicherheit), das zusammen mit diesem Gerät geliefert wurde.

**Avvertenza** Questo simbolo di avvertenza indica un pericolo. La situazione potrebbe causare infortuni alle persone. Prima di lavorare su qualsiasi apparecchiatura, occorre conoscere i pericoli relativi ai circuiti elettrici ed essere al corrente delle pratiche standard per la prevenzione di incidenti. La traduzione delle avvertenze riportate in questa pubblicazione si trova nel documento *Regulatory Compliance and Safety Information* (Conformità alle norme e informazioni sulla sicurezza) che accompagna questo dispositivo.

**Advarsel** Dette varselsymbolet betyr fare. Du befinner deg i en situasjon som kan føre til personskade. Før du utfører arbeid på utstyr, må du være oppmerksom på de faremomentene som elektriske kretser innebærer, samt gjøre deg kjent med vanlig praksis når det gjelder å unngå ulykker. Hvis du vil se oversettelser av de advarslene som finnes i denne publikasjonen, kan du se i dokumentet *Regulatory Compliance and Safety Information* (Overholdelse av forskrifter og sikkerhetsinformasjon) som ble levert med denne enheten.

**Aviso** Este símbolo de aviso indica perigo. Encontra-se numa situação que lhe poderá causar danos físicos. Antes de começar a trabalhar com qualquer equipamento, familiarize-se com os perigos relacionados com circuitos eléctricos, e com quaisquer práticas comuns que possam prevenir possíveis acidentes. Para ver as traduções dos avisos que constam desta publicação, consulte o documento *Regulatory Compliance and Safety Information* (Informação de Segurança e Disposições Reguladoras) que acompanha este dispositivo.

**¡Advertencia!** Este símbolo de aviso significa peligro. Existe riesgo para su integridad física. Antes de manipular cualquier equipo, considerar los riesgos que entraña la corriente eléctrica y familiarizarse con los procedimientos estándar de prevención de accidentes. Para ver una traducción de las advertencias que aparecen en esta publicación, consultar el documento titulado *Regulatory Compliance and Safety Information* (Información sobre seguridad y conformidad con las disposiciones reglamentarias) que se acompaña con este dispositivo.

**Warning!** Denna varningssymbol signalerar fara. Du befinner dig i en situation som kan leda till personskada. Innan du utför arbete på någon utrustning måste du vara medveten om farorna med elkretsar och känna till vanligt förfarande för att förebygga skador. Se förklaringar av de varningar som förekommer i denna publikation i dokumentet *Regulatory Compliance and Safety Information* (Efterrättelse av föreskrifter och säkerhetsinformation), vilket medföljer denna anordning.



**Warning** Before working on a system that has an on/off switch, turn OFF the power and unplug the power cord.



**Warning** Do not work on the system or connect or disconnect cables during periods of lightning activity.



**Warning** Do not touch the power supply when the power cord is connected. For systems with a power switch, line voltages are present within the power supply even when the power switch is off and the power cord is connected. For systems without a power switch, line voltages are present within the power supply when the power cord is connected.

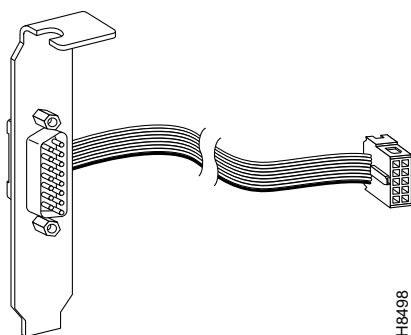


**Warning** Before working on equipment that is connected to power lines, remove jewelry (including rings, necklaces, and watches). Metal objects will heat up when connected to power and ground and can cause serious burns or weld the metal object to the terminals.

## Failover Cable Kit

The failover cable kit consists of two connector assemblies and a cable. A connector assembly is shown in Figure 1:

**Figure 1** A Failover Connector Assembly



**Note** If you purchased your LocalDirector units after December 1, 1996, the failover connector assemblies have been already installed for you and you can discard the connector assemblies. If you do not need to install the connector assemblies, proceed now to Step 12 in the next section.

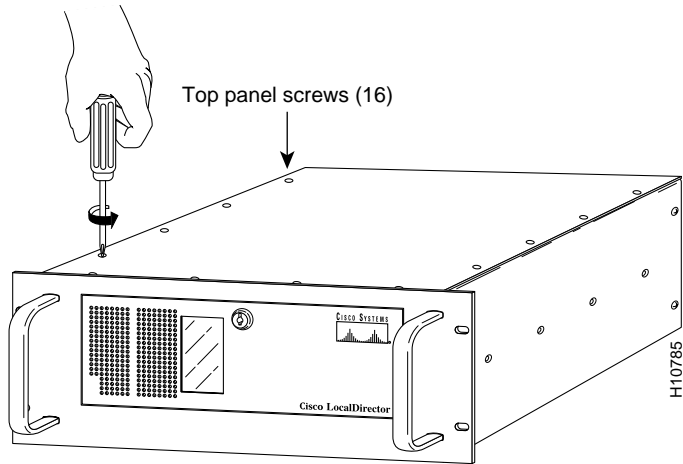
## Installing the Failover Connector Assembly and Cable

To install a failover connector assembly:

**Step 1** Power off the LocalDirector unit and remove the power cord from the rear of the unit.

**Step 2** Remove the screws from the top access panel as shown in Figure 2:

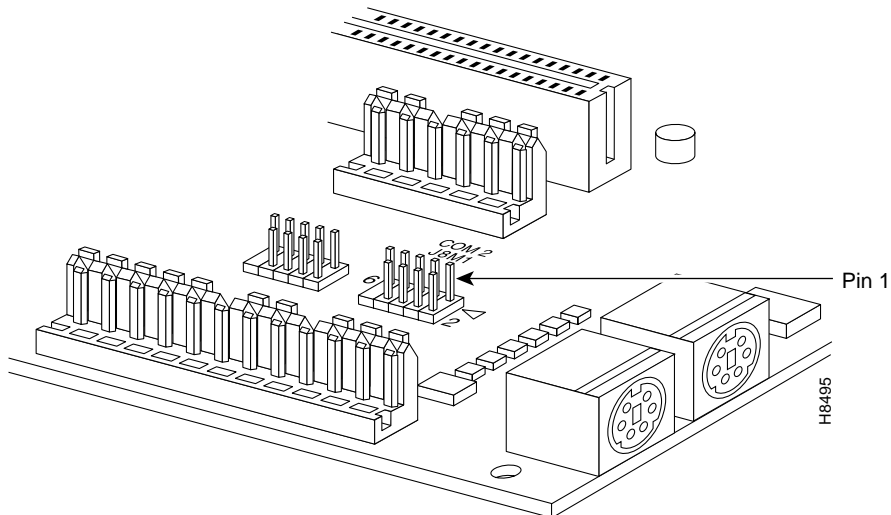
**Figure 2** Remove Screws from the Top Access Panel



**Step 3** Remove the top panel and set it aside.

**Step 4** Find the large green circuit board attached to the bottom of the unit. This is the "motherboard." On the right rear corner of the motherboard nearest the circuit board connection slots at the rear of the unit, find the COM2 connector as shown in Figure 3:

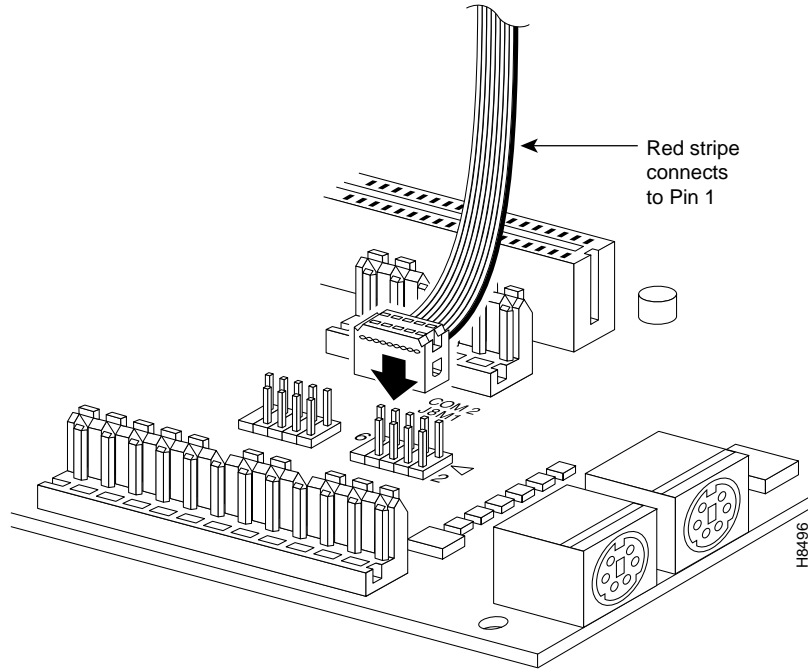
**Figure 3** Find Location of COM2 Connector



Note that the arrow marks pin 1.

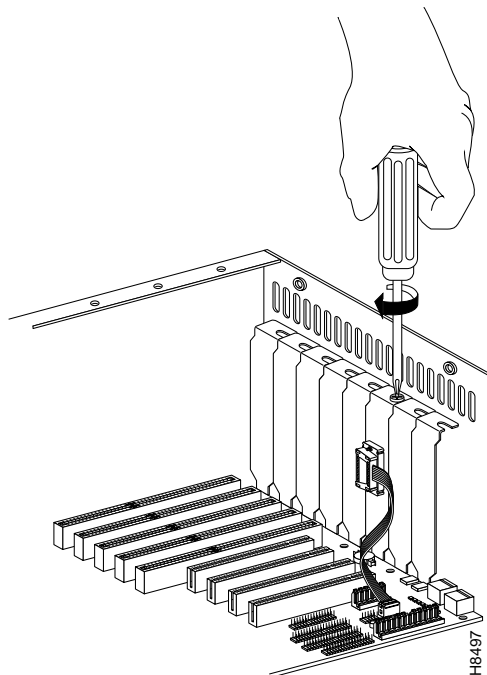
- Step 5** Install the pin connector of the cable assembly so that the red stripe on the connector is oriented above pin 1 as shown in Figure 4:

**Figure 4** Orient Failover Connector So Red Stripe is Nearest Pin 1



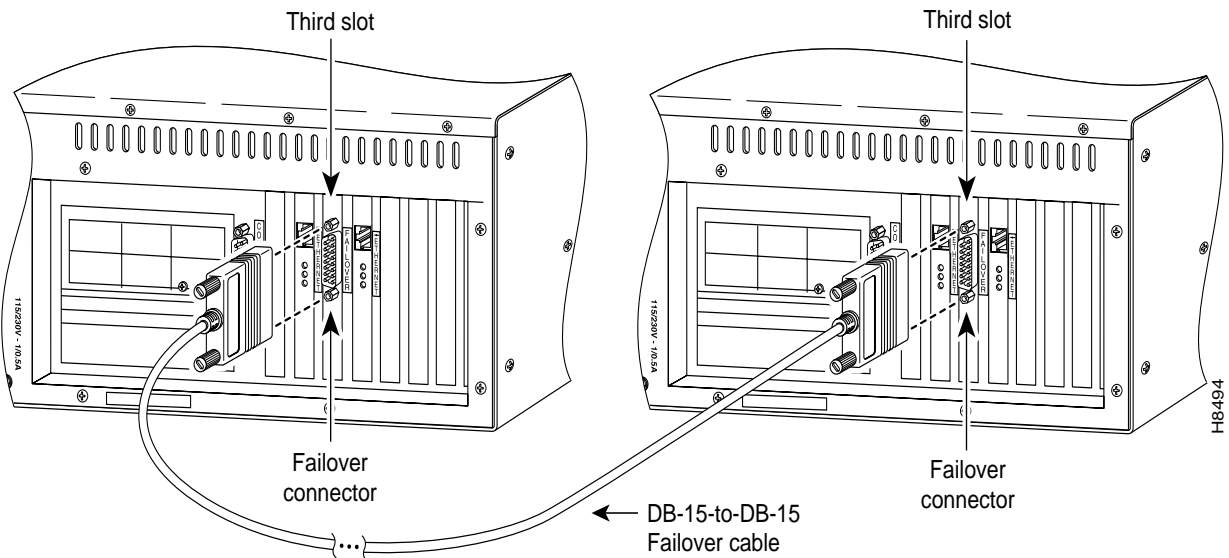
- Step 6** Remove the securing screw and plate from the third slot on the rear chassis.
- Step 7** Thread the cable around the back of the circuit board nearest the COM2 port.
- Step 8** Attach the cable connector to the rear of the unit as shown in Figure 5:

**Figure 5** Secure Connector Plate to Rear of Chassis

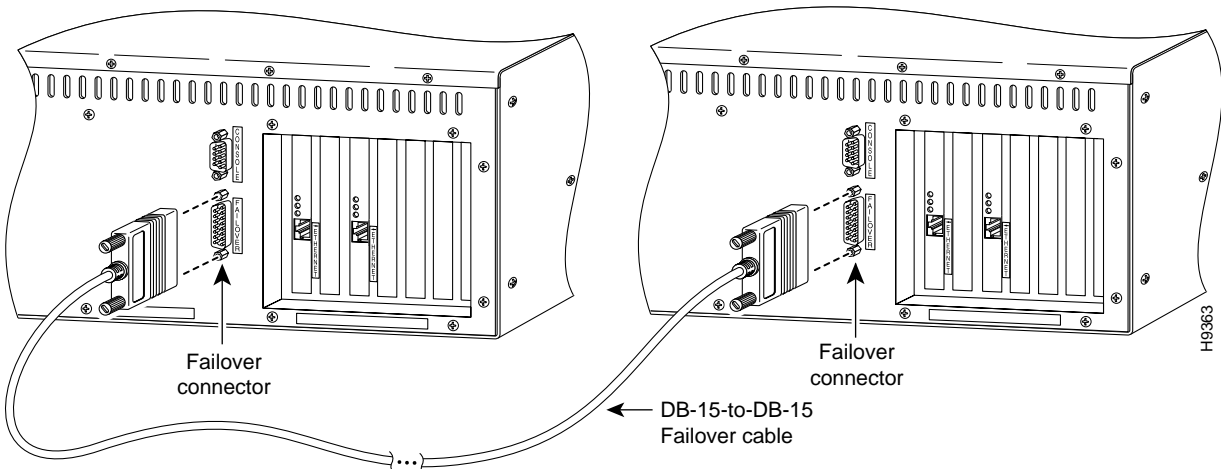


- Step 9** Replace the top access panel and attach all of the screws.
- Step 10** Follow Steps 2 through 9 to attach the second connector assembly to the second LocalDirector unit.
- Step 11** Attach the failover cable to the LocalDirector as shown in Figure 6 for systems shipped before December 1, 1996, and as shown in Figure 7 for systems shipped after December 1, 1996:

**Figure 6 Attach Failover Cable to Rear of LocalDirector (Shipped Before December 1996)**



**Figure 7 Attach Failover Cable to Rear of LocalDirector (Shipped After December 1996)**



- Step 12** Attach the power cords, place the units back in the rack, and power on the units.
- Step 13** When the unit reboots, it automatically detects the failover cable. You can now configure your system for failover.

## Cisco Connection Online

Cisco Connection Online (CCO) is Cisco Systems' primary, real-time support channel. Maintenance customers and partners can self-register on CCO to obtain additional content and services.

Available 24 hours a day, 7 days a week, CCO provides a wealth of standard and value-added services to Cisco's customers and business partners. CCO services include product information, software updates, release notes, technical tips, the Bug Navigator, configuration notes, brochures, descriptions of service offerings, and download access to public and authorized files.

CCO serves a wide variety of users through two interfaces that are updated and enhanced simultaneously: a character-based version and a multimedia version that resides on the World Wide Web (WWW). The character-based CCO supports Zmodem, Kermit, Xmodem, FTP, and Internet e-mail, and is excellent for quick access to information over lower bandwidths. The WWW version of CCO provides richly formatted documents with photographs, figures, graphics, and video, as well as hyperlinks to related information.

You can access CCO in the following ways:

- WWW: <http://www.cisco.com>.
- WWW: <http://www-europe.cisco.com>.
- WWW: <http://www-china.cisco.com>.
- Telnet: [cco.cisco.com](telnet://cco.cisco.com).
- Modem: From North America, 408 526-8070; from Europe, 33 1 64 46 40 82. Use the following terminal settings: VT100 emulation; databits: 8; parity: none; stop bits: 1; and connection rates up to 28.8 kbps.

For a copy of CCO's Frequently Asked Questions (FAQ), contact [cco-help@cisco.com](mailto:cco-help@cisco.com). For additional information, contact [cco-team@cisco.com](mailto:cco-team@cisco.com).

---

**Note** If you are a network administrator and need personal technical assistance with a Cisco product that is under warranty or covered by a maintenance contract, contact Cisco's Technical Assistance Center (TAC) at 800 553-2447, 408 526-7209, or [tac@cisco.com](mailto:tac@cisco.com). To obtain general information about Cisco Systems, Cisco products, or upgrades, contact 800 553-6387, 408 526-7208, or [cs-rep@cisco.com](mailto:cs-rep@cisco.com).

---

---

This document is to be used in conjunction with the *Cisco LocalDirector Installation and Configuration Guide*.

AccessPath, AtmDirector, Cache Director System, CD-PAC, Centri, Centri Bronze, Centri Gold, Centri Security Manager, Centri Silver, the Cisco Capital logo, Cisco IOS, the Cisco IOS logo, *CiscoLink*, the Cisco Powered Network logo, the Cisco Press logo, ClickStart, ControlStream, Fast Step, FragmentFree, IGX, JumpStart, Kernel Proxy, LAN<sup>2</sup>LAN Enterprise, LAN<sup>2</sup>LAN Remote Office, MICA, Natural Network Viewer, NetBeyond, Netsys Technologies, *Packet*, PIX, Point and Click Internetworking, Policy Builder, RouteStream, Secure Script, SMARTnet, StrataSphere, StrataSphere BILLder, StrataSphere Connection Manager, StrataSphere Modeler, StrataSphere Optimizer, Stratum, StreamView, SwitchProbe, *The Cell*, TokenSwitch, TrafficDirector, VirtualStream, VlanDirector, Workgroup Director, Workgroup Stack, and XCI are trademarks; The Network Works. No Excuses. is a service mark; and BPX, Catalyst, Cisco, Cisco Systems, the Cisco Systems logo, EtherChannel, FastHub, FastPacket, ForeSight, IPX, LightStream, OptiClass, Phase/IP, StrataCom, and StrataView Plus are registered trademarks of Cisco Systems, Inc. in the U.S. and certain other countries. All other trademarks mentioned in this document are the property of their respective owners.

*Installing the Failover Connector Assemblies and Cable on the Cisco LocalDirector*  
Copyright © 1997, Cisco Systems, Inc.  
All rights reserved. Printed in USA.  
9710R