



Doc. No. 78-3816-01 Rev. A0

Catalyst 1800 Token Ring Switch Cable Kit Guide

This guide provides configuration and connection instructions for the EIA/TIA-232 console/modem cable and the adapters used when connecting a PC, a VT series terminal, or a modem to the Catalyst 1800 Token Ring switch to access out-of-band management via the EIA/TIA-232 DB-9 male console port.

Note EIA/TIA-232 was known as recommended standard RS-232 before its acceptance as a standard by the Electronic Industries Association (EIA) and Telecommunications Industry Association (TIA).

Cisco documentation and additional literature are available in a CD-ROM package. The Documentation CD-ROM, a member of the Cisco Connection Family, is updated monthly. Therefore, it might be more up to date than printed documentation. To order copies of the Documentation CD-ROM, contact your local sales representative or call customer service. The CD-ROM package is available as a single package or as an annual subscription. You can also access Cisco documentation on the World Wide Web at <http://www.cisco.com>, <http://www-china.cisco.com>, or <http://www-europe.cisco.com>.

Management terminal and modem requirements are as follows:

- VT 320/420-series terminal or VT-type terminal running emulation programs for the VT series
- IBM or compatible PC running a VT-series emulation software package
- Hayes-compatible modem

This guide also provides the following pin assignments:

- DB-9 console port connector on the Catalyst 1800 chassis
- DB-9 PC connector

Corporate Headquarters

Cisco Systems, Inc.
170 West Tasman Drive
San Jose, CA 95134-1706
USA

Copyright © 1996
Cisco Systems, Inc.
All rights reserved.

- DB-25 VT-series connector
- DB-25 modem connector

The Catalyst 1800 console cable kit (part number 78-1188-01) includes

- One 6-foot (1.8-meter) length of unshielded twisted pair (UTP) EIA/TIA-232 cable with RJ-45 connectors at each end
- One RJ-45 to DB-9 female adapter (for console port connection)
- One RJ-45 to DB-9 female adapter (for PC connection)
- One RJ-45 to DB-25 female adapter (for VT terminal connection)
- One RJ-45 to DB-25 male adapter (for modem connection)

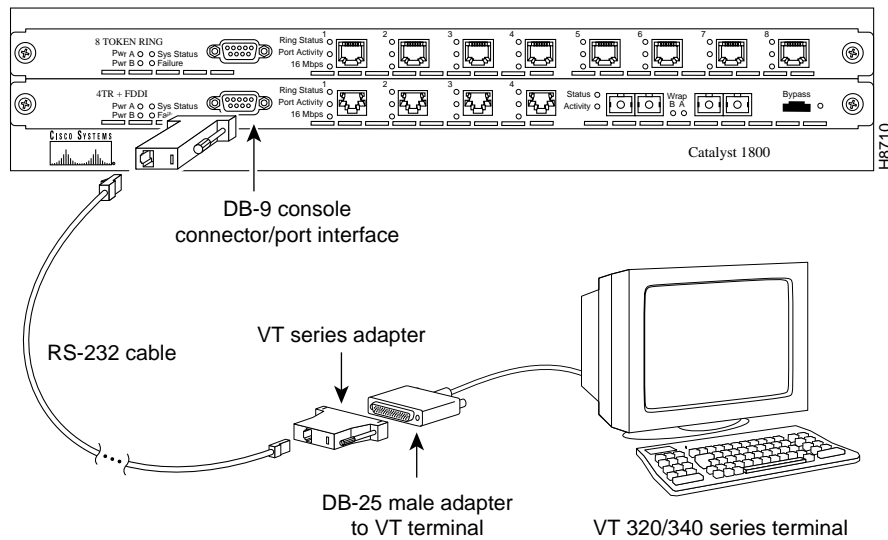
Connecting to a VT-Series Terminal

Follow these steps to connect a VT 320/420-series terminal to a Catalyst 1800 Token Ring switch (see Figure 1):

- Step 1** Plug either end of the EIA/TIA-232 cable into the RJ-45-to-DB-9 female adapter labelled “Console port.”
- Step 2** Connect the console port female adapter to the male DB-9 console port on the front of the Catalyst 1800 chassis.
- Step 3** Plug the RJ-45 connector at the other end of the EIA/TIA-232 cable into the RJ-45-to-DB-25 female adapter labelled “VT series.”
- Step 4** Connect the VT-series DB-25 female adapter to the DB-25 male adapter on the cable extending from the VT terminal’s COMM port.
- Step 5** Turn on the terminal and access the setup directory. Set the following parameters on your terminal:

Transmit	9600
Bits per character (BPC)	8
Parity	None
Stop bit	1
Flow control	Off

After these parameters are set, you can access out-of-band management. Refer to the *Catalyst 1800 Token Ring Switch User Guide* for instructions on using the console interface.

Figure 1 Connecting a VT-Series Terminal to a Catalyst 1800 Switch

Connecting to an IBM PC or Compatible

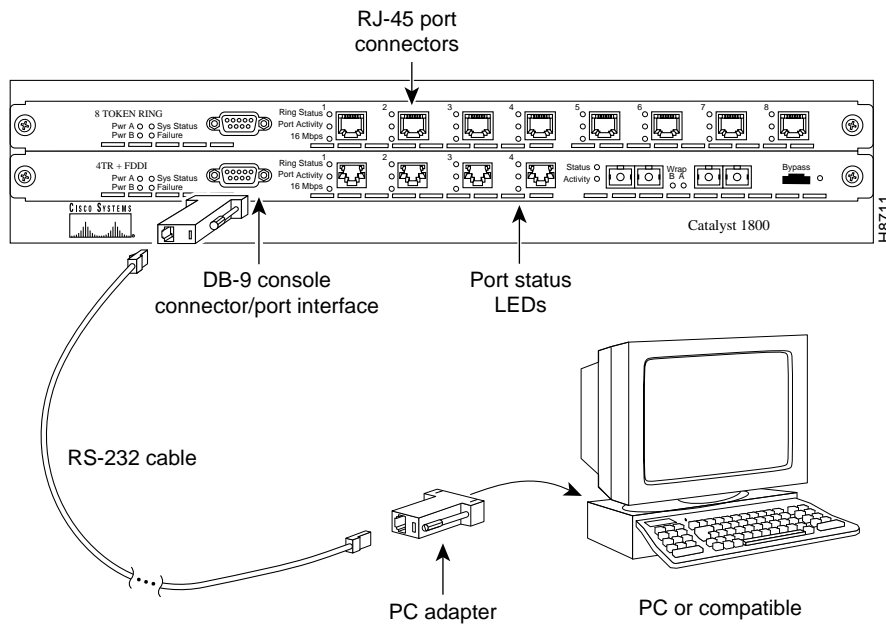
Follow these steps to connect an IBM PC or compatible to a Catalyst 1800 switch (see Figure 2). Note that the PC must be running a VT terminal emulation program.

- Step 1** Plug either end of the EIA/TIA-232 cable into the RJ-45-to-DB-9 female adapter labelled "Console port."
- Step 2** Connect the console port female adapter to the male DB-9 console port on the front of the Catalyst 1800 chassis.
- Step 3** Plug the RJ-45 connector at the other end of the EIA/TIA-232 cable into the RJ-45-to-DB-9 female adapter labelled "PC."
- Step 4** Connect the DB-9 female adapter to the appropriate male communications port on the PC.
- Step 5** Turn on the PC and configure its VT emulation package with following parameters:

Transmit	9600
Bits per character (BPC)	8
Parity	None
Stop bit	1
Flow control	Off

After these parameters are set, you can access out-of-band management. Refer to the *Catalyst 1800 Token Ring Switch User Guide* for instructions on using the console interface.

Figure 2 Connecting an IBM PC or Compatible to a Catalyst 1800 Switch



Connecting to a Modem

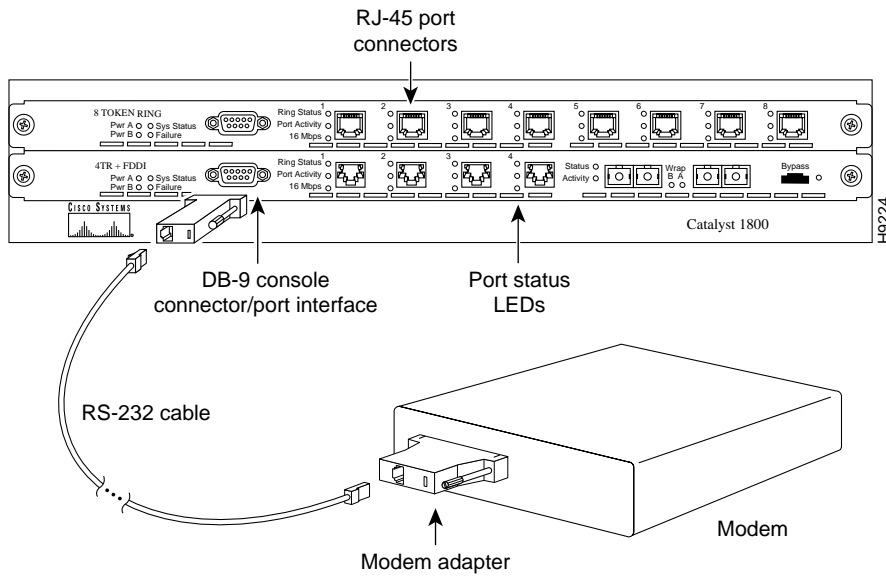
Follow these steps to connect an IBM PC or compatible to a Catalyst 1800 switch (see Figure 3). Note that the PC must be running a VT terminal emulation program.

- Step 1** Plug either end of the EIA/TIA-232 cable into the RJ-45-to-DB-9 female adapter labelled "Console port."
- Step 2** Connect the console port female adapter to the male DB-9 console port on the front of the Catalyst 1800 chassis.
- Step 3** Plug the RJ-45 connector at the other end of the EIA/TIA-232 cable into the RJ-45-to-DB-25 male adapter labelled "Modem."
- Step 4** Connect the DB-25 male adapter to the appropriate female communications port on the modem.
- Step 5** Turn on the modem and configure its VT emulation package with following parameters:

Transmit	9600
Bits per character (BPC)	8
Parity	None
Stop bit	1
Flow control	Off

After these parameters are set, you can access out-of-band management. Refer to the *Catalyst 1800 Token Ring Switch User Guide* for instructions on using the console interface.

Figure 3 Connecting a Modem to a Catalyst 1800 Switch



Wiring and Signal Assignment Specifications

Diagrams in this section provide wiring and signal information for the cable and adapters in the Catalyst 1800 console cable kit.

RJ-45 cable wiring diagram			
End 1		End 2	
Pin	Conductor	Pin	Conductor
1	White/Orange	1	White/Orange
2	Orange/White	2	Orange/White
3	White/Green	3	White/Green
4	Blue/White	4	Blue/White
5	White/Blue	5	White/Blue
6	Green/White	6	Green/White
7	White/Brown	7	White/Brown
8	Brown/White	8	Brown/White

<p>RJ-45 connector end 1</p> <p>Pins 1 → 8 Male</p>	<p>RJ-45 connector end 2</p> <p>Pins 1 → 8 Male</p>
---	---

Wiring and Signal Assignment Specifications

Console port adapter wiring & signal diagram			
DB-9		RJ-45	
Pin	Signal	Pin	Conductor
2	RD	4	Red
3	TD	1	Blue
4	DTR	8	White
5	GND	5	Green
7	RTS	6	Yellow

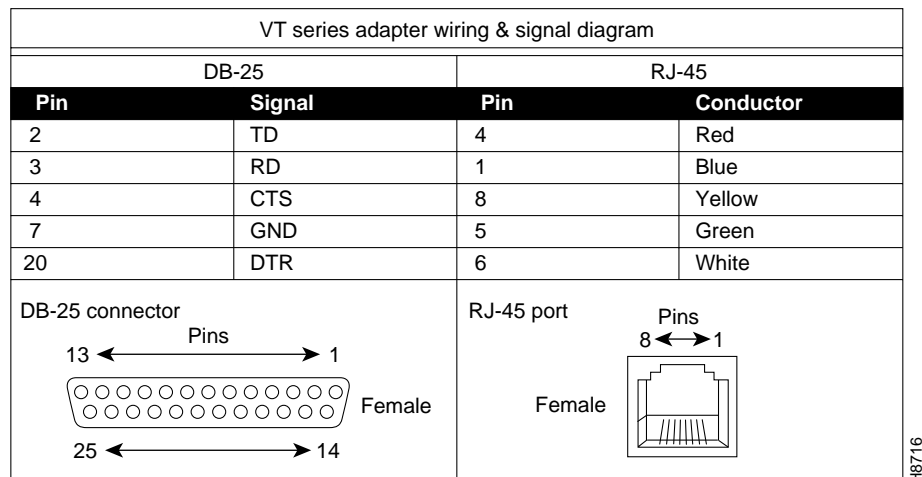
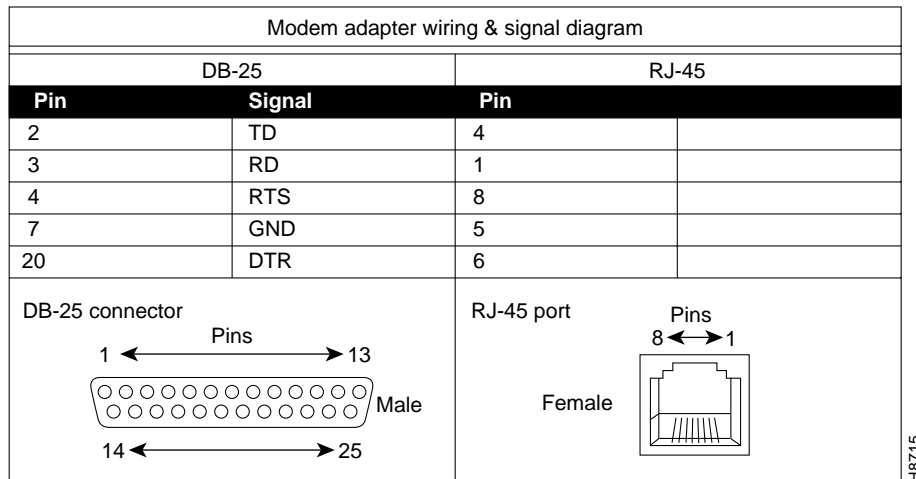
<p>DB-9 connector</p> <p>Female</p>	<p>RJ-45 port</p> <p>Female</p>
-------------------------------------	---------------------------------

H8713

PC adapter wiring & signal diagram			
DB-9		RJ-45	
Pin	Signal	Pin	Conductor
1	DCD	6	Yellow
2	RD	1	Blue
3	TD	4	Red
5	GND	5	Green

<p>DB-9 connector</p> <p>Female</p>	<p>RJ-45 port</p> <p>Female</p>
-------------------------------------	---------------------------------

H8714



Cisco Connection Online

Cisco Connection Online (CCO) is Cisco Systems' primary, real-time support channel. Maintenance customers and partners can self-register on CCO to obtain additional information and services.

Available 24 hours a day, 7 days a week, CCO provides a wealth of standard and value-added services to Cisco's customers and business partners. CCO services include product information, user documentation, software updates, release notes, technical tips, the Bug Navigator, configuration notes, brochures, descriptions of service offerings, and download access to public and authorized files.

CCO serves a wide variety of users through two interfaces that are updated and enhanced simultaneously: a character-based version and a multimedia version that resides on the World Wide Web (WWW). The character-based CCO supports Zmodem, Kermit, Xmodem, FTP, and Internet

e-mail, and it is excellent for quick access to information over lower bandwidths. The WWW version of CCO provides richly formatted documents with photographs, figures, graphics, and video, as well as hyperlinks to related information.

You can access CCO in the following ways:

- WWW: <http://www.cisco.com>
- WWW: <http://www-europe.cisco.com>
- WWW: <http://www-china.cisco.com>
- Telnet: cco.cisco.com
- Modem: From North America, 408 526-8070; from Europe, 33 1 64 46 40 82. Use the following terminal settings: VT100 emulation; databits: 8; parity: none; stop bits: 1; and connection rates up to 28.8 kbps.

For a copy of CCO's Frequently Asked Questions (FAQ), contact cco-help@cisco.com. For additional information, contact cco-team@cisco.com.

Note If you are a network administrator and need personal technical assistance with a Cisco product that is under warranty or covered by a maintenance contract, contact Cisco's Technical Assistance Center (TAC) at 800 553-2447, 408 526-7209, or tac@cisco.com. To obtain general information about Cisco Systems, Cisco products, or upgrades, contact 800 553-6387, 408 526-7208, or cs-rep@cisco.com.

This document is to be used in conjunction with the *Catalyst 1800 Token Ring Switch User Guide* publication.

AtmDirector, AutoConnect, AutoRoute, AXIS, BPX, Catalyst, CD-PAC, CiscoAdvantage, CiscoFusion, Cisco IOS, the Cisco IOS logo, *CiscoLink*, CiscoPro, the CiscoPro logo, CiscoRemote, the CiscoRemote logo, CiscoSecure, Cisco Systems, CiscoView, CiscoWorks, ClickStart, ControlStream, EdgeConnect, EtherChannel, FairShare, FastCell, FastForward, FastManager, FastMate, FastPADImp, FastPADmicro, FastPADmp, FragmentFree, FrameClass, Fulcrum INS, IGX, Impact, Internet Junction, JumpStart, LAN²LAN Enterprise, LAN²LAN Remote Office, LightSwitch, NetBeyond, NetFlow, Newport Systems Solutions, *Packet*, PIX, Point and Click Internetworking, RouteStream, Secure/IP, SMARTnet, StrataSphere, StrataSphere BILLder, StrataSphere Connection Manager, StrataSphere Modeler, StrataSphere Optimizer, Stratm, StrataView Plus, StreamView, SwitchProbe, SwitchVision, SwitchWare, SynchroniCD, *The Cell*, The FastPacket Company, TokenSwitch, TrafficDirector, Virtual EtherSwitch, VirtualStream, VlanDirector, Web Clusters, WNIC, Workgroup Director, Workgroup Stack, and XCI are trademarks; Access by Cisco, Bringing the Power of Internetworking to Everyone, Enter the Net with MultiNet, and The Network Works. No Excuses. are service marks; and Cisco, the Cisco Systems logo, CollisionFree, Combinet, EtherSwitch, FastHub, FastLink, FastNIC, FastPacket, FastPAD, FastSwitch, ForeSight, Grand, Grand Junction, Grand Junction Networks, the Grand Junction Networks logo, HSSI, IGRP, IPX, Kalpana, the Kalpana logo, LightStream, MultiNet, MultiWare, OptiClass, Personal Ethernet, Phase/IP, RPS, StrataCom, TGV, the TGV logo, and UniverCD are registered trademarks of Cisco Systems, Inc. All other trademarks, service marks, registered trademarks, or registered service marks mentioned in this document are the property of their respective owners.

Copyright © 1996, Cisco Systems, Inc.
All rights reserved. Printed in USA.
969R