

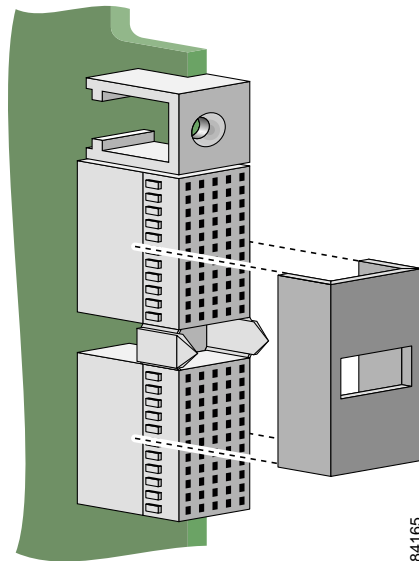


Start Here: Check All Card Connectors!

Revised: July 25, 2006

Remove Protective Cover

Remove the small protective cover from the rear edge of the card(s). This cover protects alignment tabs during shipping.



Check Pins, Dividers, and Holes

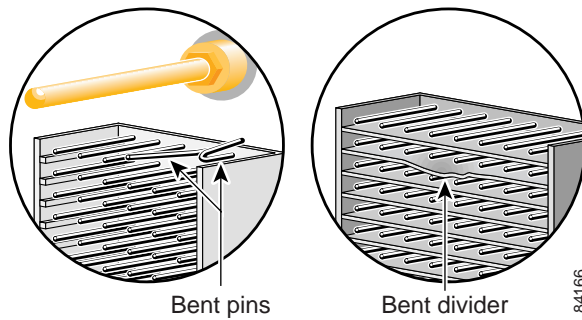
Cisco equipment is 100% inspected at the factory, but to ensure successful installation, please look at the connectors before you install a card.



Corporate Headquarters:
Cisco Systems, Inc., 170 West Tasman Drive, San Jose, CA 95134-1706 USA

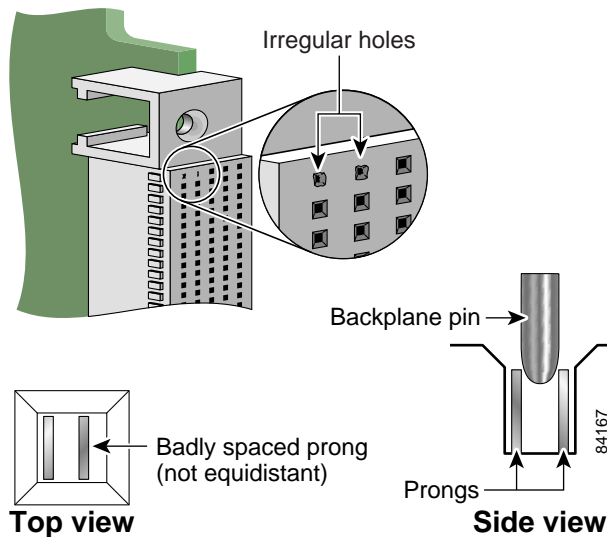
© 2006 Cisco Systems, Inc. All rights reserved.

If you see any of the problems shown, contact the Cisco Technical Assistance Center at 800-553-2447, 408-526-7209, or email tac@cisco.com.



Caution

To prevent damage to the backplane, do not install cards with bent pins or bent pin dividers. Do not force pins into a connector with irregular or obstructed holes. Do not insert pins into holes that contain off-center pin insertion prongs.



Install the Front and Back Cards

Card Placement

The following switch slots are reserved:

- In a Cisco MGX 8230 switch, slots 1 and 2 are reserved for the PXM1 cards and slots 7 and 14 are reserved for the SRM cards.
- In a Cisco MGX 8250 switch, slots 7, 8, 23, and 24 are reserved for the PXM1 cards and slots 15, 16, 31, and 32 are reserved for SRM cards.

- In a Cisco MGX 8830 switch, slots 1 and 2 are reserved for PXM1E or PXM45 cards and slots 7 and 14 are reserved for SRM cards.
- In a Cisco MGX 8850 switch, slots 7, 8, 23, and 24 are reserved for the processor switching module cards (PXM1, PXM45, or PXM1E) and slots 15, 16, 31, and 32 are reserved for SRM cards.
- In a Cisco MGX 8950 switch, front slots 7, 8, 23, and 24 are reserved for PXM45 cards and slots 9, 10, 25, and 26 are reserved for XM-60 cards.

**Caution**

Do not insert other types of front cards into reserved slots. Before handling any cards, wear a wrist strap connected to metal on the card chassis to prevent electrical damage to the cards.

Refer to the hardware installation guide for your switch for more details about switch and card installation.

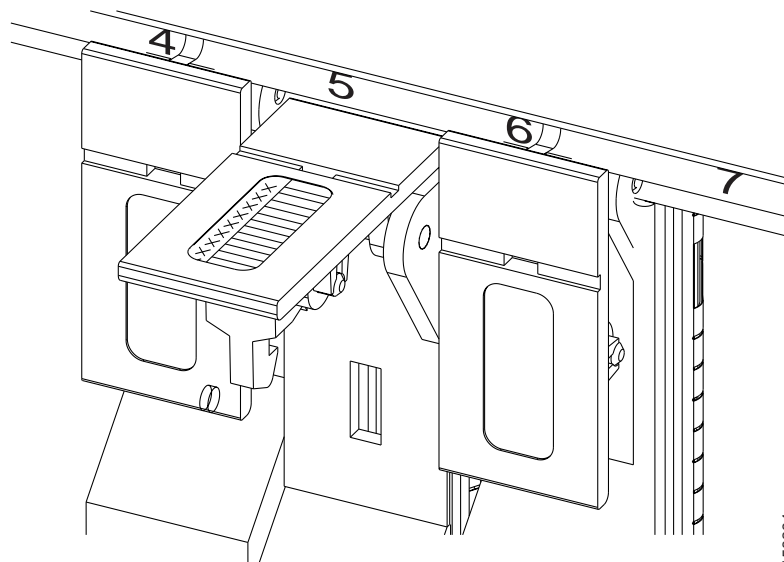
How to Install a Front Card

- Step 1** Verify that the extraction levers are in the unlatched position. Align the card edges with the slot guides in the chassis.
- Step 2** Gently slide the card all the way into the slot. The card should slide in with only slight friction. Do not force the card into the connector. Investigate any resistance.
- Step 3** Press the card extractor levers until they snap into the vertical position.

**Caution**

When you install multiple front cards, fully insert all cards into the chassis prior to installing the adjacent cards. Ensure that the card ejector levers are closed and snapped into the locked position, as shown by the cards in slots 4 and 6 in [Figure 1](#).

Figure 1 Correct Installation of Multiple Front Cards into a Chassis

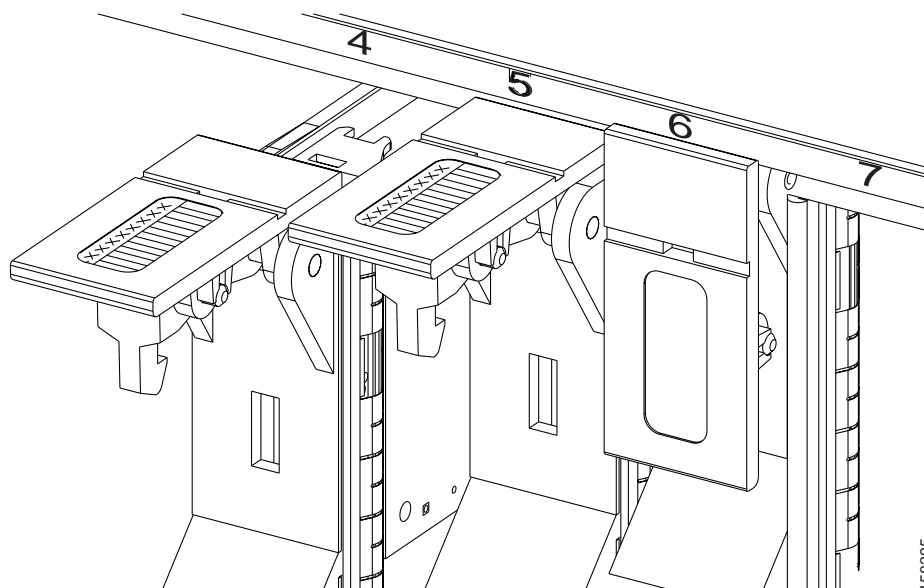


158294

**Caution**

Do not partially insert the cards, as shown by the cards in slots 4 and 5 in [Figure 2](#).

Figure 2 Incorrect Installation of Multiple Front Cards into a Chassis



158295

How to Install a Back Card

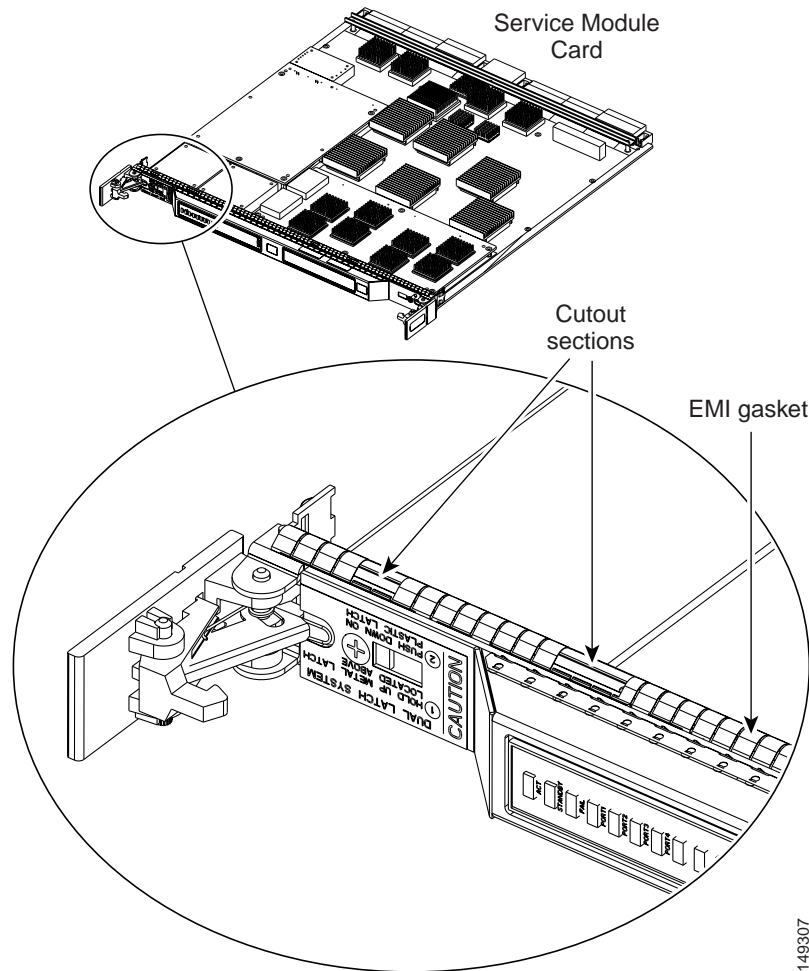
**Caution**

Install an OC-48 back card only with the same model letter as an OC-48 front card to prevent damage to the cards. For example, install an SMFXR-1-2488/B card with an AXSM-1-2488/B card. This caution is for Cisco MGX 8850 PXM45-based chassis **only**.

-
- Step 1** Make sure the two extractor levers are in the “in” position. As you slide the card, the levers should be flush with the vertical edge of the back card or the card will not seat properly.
 - Step 2** Gently slide the card all the way into the slot.
 - Step 3** Push the card into the connector until the pins are seated in the connector.
 - Step 4** Tighten the two captive screws on the card faceplate until the faceplate is flush with the chassis. If this is difficult, look from the side to verify alignment of the holes and screws.
-

Cutouts in the EMI Gasket for MGX Service Modules

Some of the MGX Service Modules are equipped with a copper gasket to enhance EMI performance. The gasket is mounted on the component side of the board from top to bottom behind the front faceplate. The gasket consists of a slotted copper section (which is the EMI gasket) and a stainless steel mounting track for attaching the gasket to the card.



Several MGX Service Modules have cut out sections in their EMI gasket (see illustration). These cut out sections improve board insertion and extraction.

The cut out sections are intentional and do NOT indicate that the gasket is broken or defective.



Caution

Do not install the board if the EMI gasket is damaged.

CCSP, CCVP, the Cisco Square Bridge logo, Follow Me Browsing, and StackWise are trademarks of Cisco Systems, Inc.; Changing the Way We Work, Live, Play, and Learn, and iQuick Study are service marks of Cisco Systems, Inc.; and Access Registrar, Aironet, BPX, Catalyst, CCDA, CCDP, CCIE, CCIP, CCNA, CCNP, Cisco, the Cisco Certified Internetwork Expert logo, Cisco IOS, Cisco Press, Cisco Systems, Cisco Systems Capital, the Cisco Systems logo, Cisco Unity, Enterprise/Solver, EtherChannel, EtherFast, EtherSwitch, Fast Step, FormShare, GigaDrive, GigaStack, HomeLink, Internet Quotient, IOS, IP/TV, iQ Expertise, the iQ logo, iQ Net Readiness Scorecard, LightStream, Linksys, MeetingPlace, MGX, the Networkers logo, Networking Academy, Network Registrar, *Packet*, PIX, Post-Routing, Pre-Routing, ProConnect, RateMUX, ScriptShare, SlideCast, SMARTnet, The Fastest Way to Increase Your Internet Quotient, and TransPath are registered trademarks of Cisco Systems, Inc. and/or its affiliates in the United States and certain other countries.

All other trademarks mentioned in this document or Website are the property of their respective owners. The use of the word partner does not imply a partnership relationship between Cisco and any other company. (0601R)

© 2006 Cisco Systems, Inc. All rights reserved.

♻️ Printed in the USA on recycled paper containing 10% postconsumer waste.